

UG1410A



- ❑ Activated by the touch of a finger
Even with surgeon gloves
- ❑ 50 million cycles
- ❑ Auto-calibration function
- ❑ Bushing diameter 16, 19 or 22 mm
- ❑ Momentary or latching

ENVIRONMENTAL SPECIFICATIONS

- Sealing : IP68 and IP69K according to IEC 60529
- Triggered by flowing water
- Impact resistance : IK10
- Operating temperature : -20°C to +65°C
- ESD : complies with EN61000-4-2 (extended) ± 8KV (20 contacts) and ± 15KV (20 air discharges)

MATERIALS

- Case : aluminium, anodized
- Multi-wire leads section 0,22 mm² length 300 mm
- Cable, length 300 mm, section depending on switch model
- Connector : HE14 6V compatible with AMP/TYCO281839-3

ELECTRICAL AND GENERAL SPECIFICATIONS

- Max. current/voltage rating : 200mA 24VDC
- Supply voltage : 5VDC, 12VDC or 24VDC
- Life expectancy : 50 million cycles
- Power consumption non-illuminated : 7mA
- Power consumption illuminated : 25mA
- Operating force : 0N
- LED state for output image option :
1 LED : the LED is ON when the output is closed.
2 LEDs : first colour is ON when the output is open. Second colour is ON when the output is closed.
- Output type : NPN

ADJUSTABLE SENSITIVITY

Connection to ground by means of the yellow wire increases sensitivity (momentary version only).



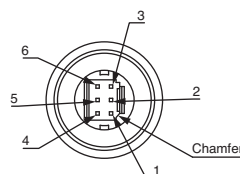
This switch should not be used in safety applications.

Wiring diagrams

	Non-illuminated	1 LED		2 LEDs		Legend
		Output indicator	Independent	Output indicator	Independent	
OFF-ON						R red +V Black black GND W white output Y yellow sensitivity G green -LED 1 Blue blue -LED2
OFF-MOM						Wire colours may vary. Always refer to the label on the switch.

Wiring for switch connector

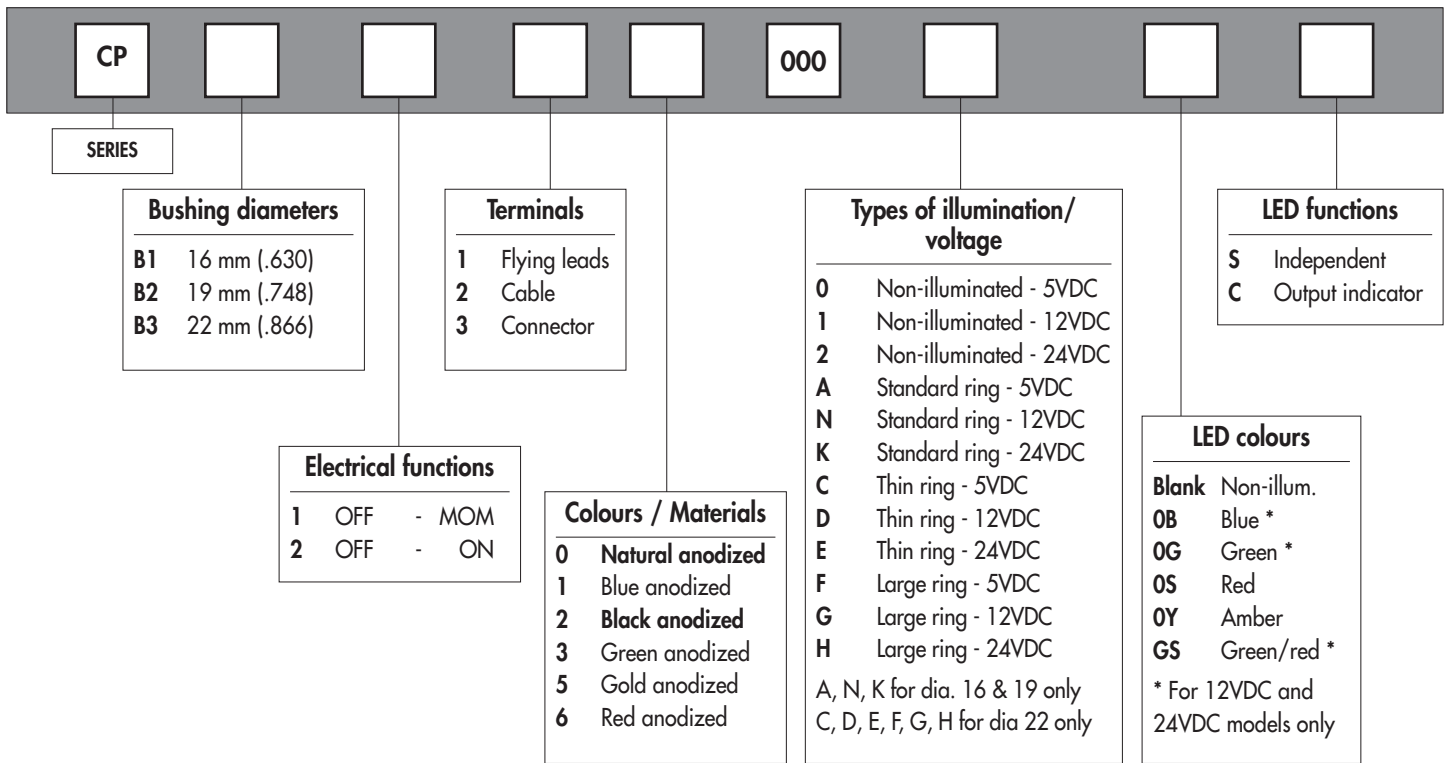
- Pin 1 : GND
- Pin 2 : output
- Pin 3 : +V
- Pin 4 : LED 2
- Pin 5 : sensitivity
- Pin 6 : LED 1



CP series

Capacitive switches

Overview



On request

- Duration of activation 15 minutes for latching models (standard duration is infinite)
- Different lengths, gauges or colours for flying lead terminals
- Different cable lengths

Dimensions : first dimensions are in mm while inches are shown as bracketed numbers.

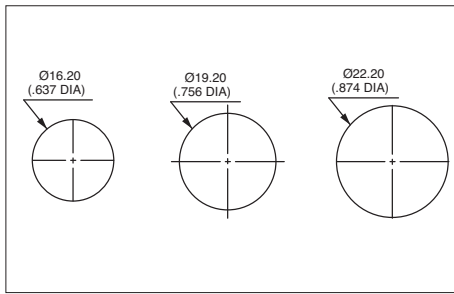


NOTICE : please note that not all combinations of above numbers are available. Refer to the following pages for further information.



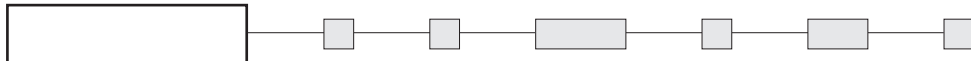
Packaging unit : 20 pieces

The company reserves the right to change specifications without notice.



Shown with flying lead terminals

**MODEL
STRUCTURE**



B2

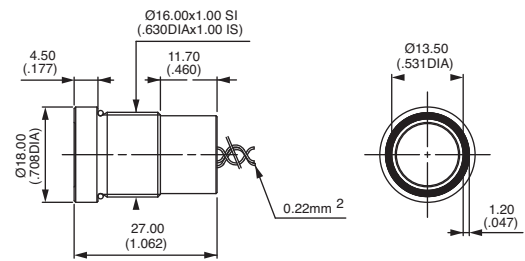
Bushing Ø 16 mm (.630) - standard ring



CPB1110000NGSC

Momentary
CPB11 OFF - MOM

Latching
CPB12 OFF - ON



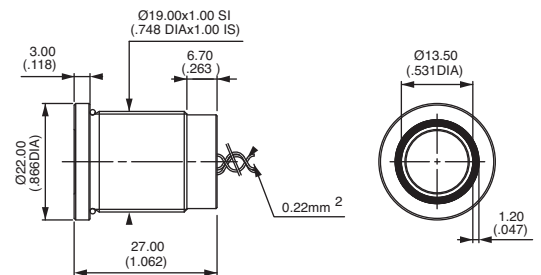
Bushing Ø 19 mm (.748) - standard ring



CPB2110000NGSC

Momentary
CPB21 OFF - MOM

Latching
CPB22 OFF - ON



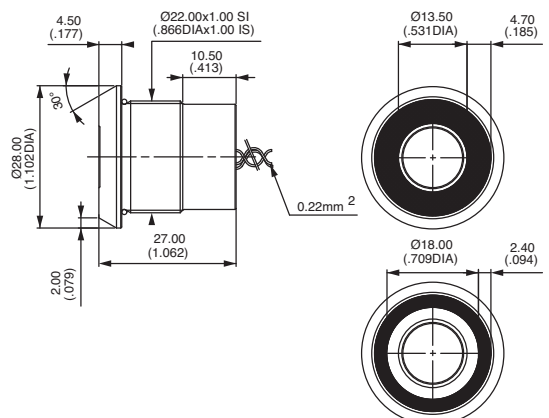
Bushing Ø 22 mm (.866) - large or thin ring



CPB3210000GGSC

Momentary
CPB31 OFF - MOM

Latching
CPB32 OFF - ON

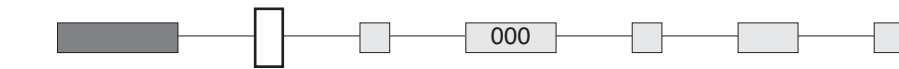


CP series

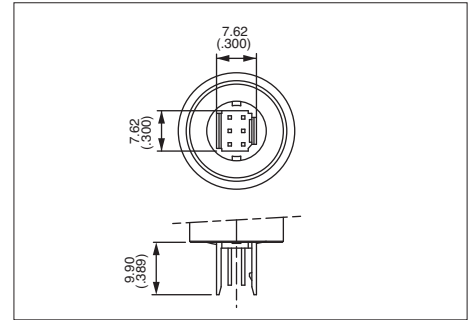
Capacitive switches

Options

TERMINALS

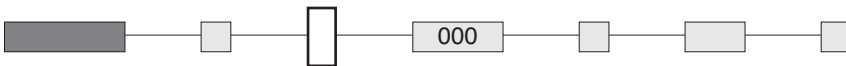


- 1 Flying leads
- 2 Cable
- 3 Connector HE14 6V (see opposite)



B2

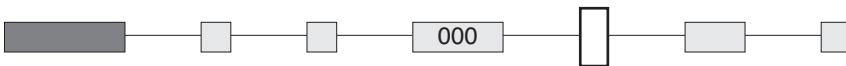
CASE COLOURS / MATERIALS



Code	Colour
0	Natural anodized aluminium
1	Blue anodized aluminium
2	Black anodised aluminium

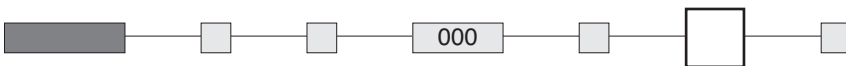
Code	Colour
3	Green anodized aluminium
5	Gold anodized aluminium
6	Red anodised aluminium

TYPES OF ILLUMINATION



	5VDC	12VDC	24VDC
Non-illuminated	0	1	2
Standard ring (Ø 16 & 19 only)	A	N	K
Thin ring (Ø 22 only)	C	D	E
Large ring (Ø 22 only)	F	G	H

LED COLOURS



Blank Non-illuminated

OB : blue - **OG** : green - **OS** : red - **OY** : amber - **GS** : green/red



Blue, green and green/red LEDs available on 12VDC and 24VDC models only.

LED FUNCTIONS



- S Independent
- C Output indicator