

FP series

Fully illuminated pushbutton switches - bushing Ø 24 mm - momentary or latching

Distinctive features and specifications



- Full actuator or symbol illumination
- Suited for integrated designs
- Large but lightweight
- Sealed to IP69K
- Pad printed or laser etched symbols

UG1410-A-R1

	Pad printing	Laser
Non-illuminated		
Illuminated		

ELECTRICAL SPECIFICATIONS

- Max. current/voltage rating with resistive load :
 - silver contacts (code 2) : 4A 12VDC
 - gold plated contacts (code 4) : 200mA 12VDC
- Initial contact resistance : 50 mΩ max.
- Insulation resistance : 1 GΩ min. at 500VDC
- Dielectric strength : 1.000 Vrms 50 Hz min.
- Electrical life at full load :
 - Momentary models : 1 million cycles (gold plated contacts)
400.000 cycles (silver contacts)
 - Latching models : 200.000 cycles

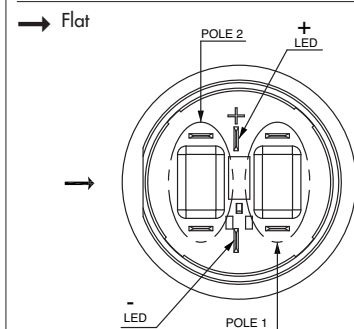
MATERIALS

- Case : PA46
- Actuator : PA12
- Bushing/ bezel : PA66
- Contacts : silver (code 2)
or silver, gold plated (code 4)
- Cable : length 300 mm, section depending on switch model
- Terminal seal : epoxy or overmolding

GENERAL SPECIFICATIONS

- Front panel sealing : IP69K according to DIN 40050-9
- Panel thickness : 1(.039) to 18 mm (.708) max.
- Total travel : 2,5 mm ± 0,5 mm
- Typical operating force : 8N ± 2N
- Low level or mechanical life :
 - Momentary models : 1 million cycles
 - Latching models : 200.000 cycles
- Torque : 3 Nm max. applied to nut
- Operating temperature : -40°C to +75°C

WIRING DIAGRAM

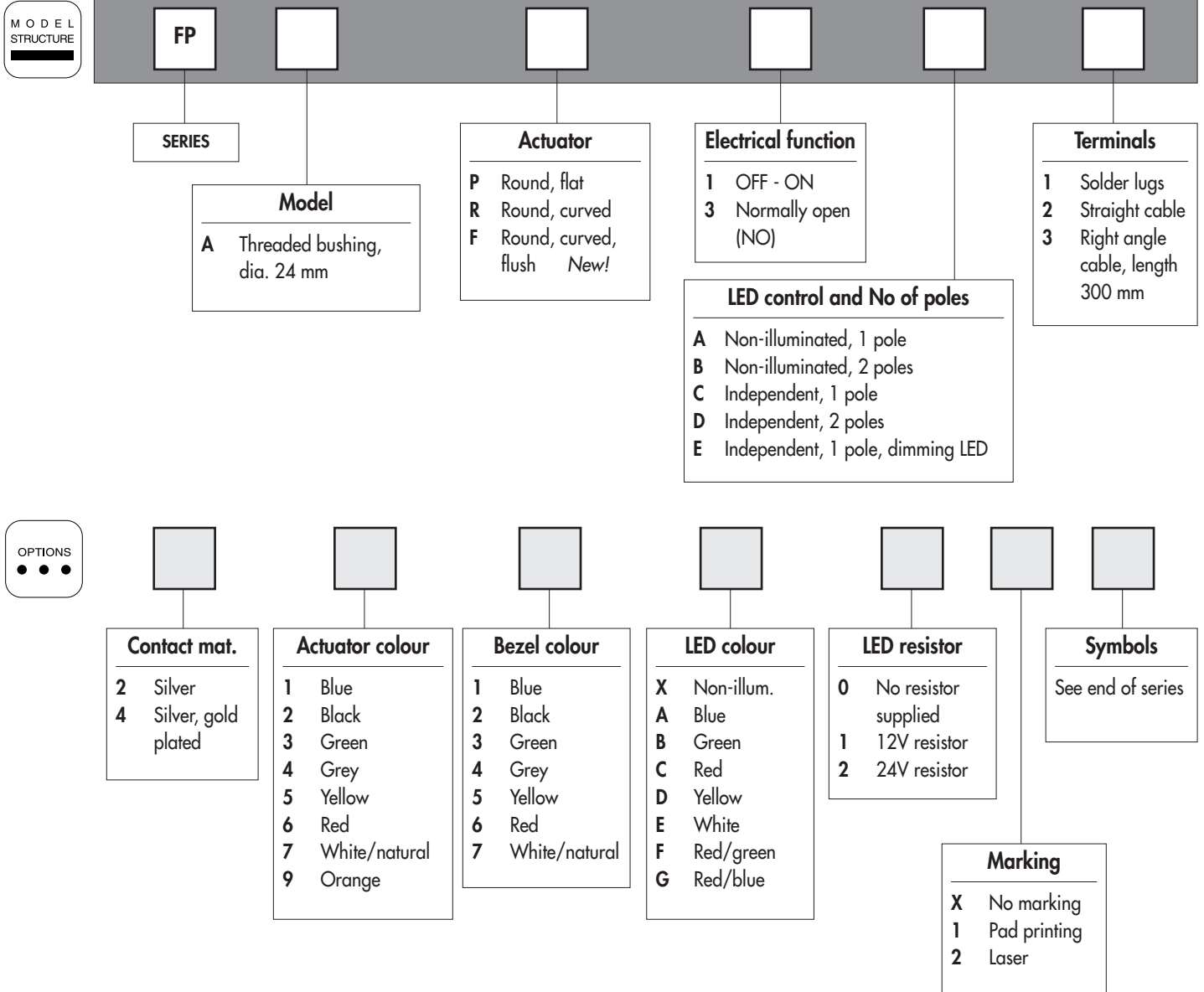


The company reserves the right to change specifications without notice.

FP series

Fully illuminated pushbutton switches - bushing Ø 24 mm - momentary or latching

Overview



ABOUT THIS SERIES

On the following pages, you will find successively :
model structure of switches and options in the same order as in above chart

Dimensions : first dimensions are in mm while inches are shown as bracketed numbers.



NOTICE : please note that not all combinations of above numbers are available. Refer to the following pages for further information.



Mounting accessories : Standard hardware supplied : 1 hex nut and 1 O-Ring

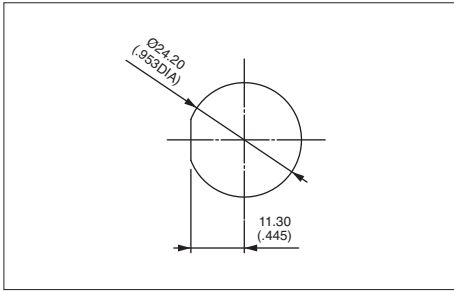


Packaging unit : solder lug versions : 20 pieces - cable versions : 1 piece



FP series

Fully illuminated pushbutton switches - bushing Ø 24 mm - momentary or latching



- Three terminal types
- Curved or flat actuator

To order a product, replace • with one of the codes selected under "LED control and number of poles" on next page, then add the desired options.

MODEL STRUCTURE



B2

Solder lug terminals



LATCHING
Curved actuator
FPAR1•1
Flat actuator
FPAP1•1

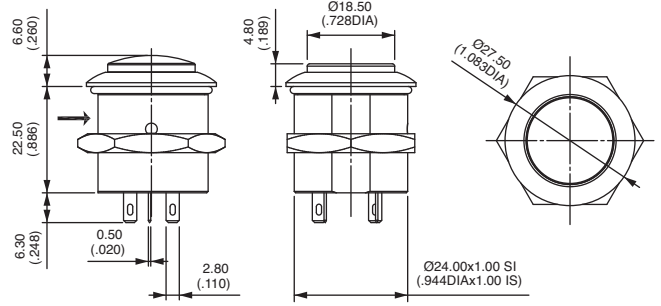
MOMENTARY (NO)
Curved actuator
FPAR3•1
Flat actuator
FPAP3•1

OFF - ON

OFF ON



→ Flat



Straight cable terminals



LATCHING
Curved actuator
FPAR1•2
Flat actuator
FPAP1•2

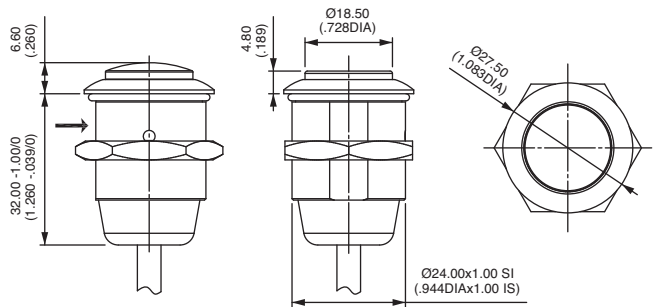
MOMENTARY (NO)
Curved actuator
FPAR3•2
Flat actuator
FPAP3•2

OFF - ON

OFF ON



→ Flat



Right angle cable terminals



LATCHING
Curved actuator
FPAR1•3
Flat actuator
FPAP1•3

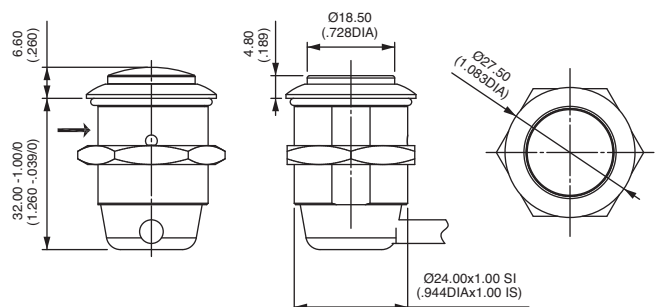
MOMENTARY (NO)
Curved actuator
FPAR3•3
Flat actuator
FPAP3•3

OFF - ON

OFF ON



→ Flat



FP series

Fully illuminated pushbutton switches - bushing Ø 24 mm - momentary or latching



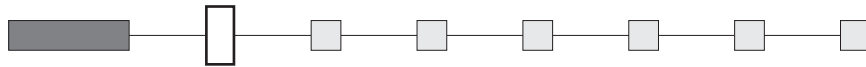
Options

LED CONTROL AND NUMBER OF POLES

Complete the model numbers on previous pages with one of the following codes.

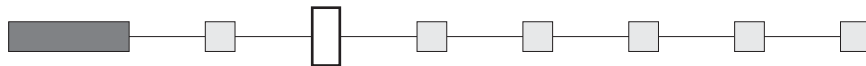
	Function 1 (latching)	Function 3 (momentary)		Function 1 (latching)	Function 3 (momentary)
Non-illuminated one pole A			Independent one pole C		
Non-illuminated two poles B			Independent two poles D		
			Independent one pole Dimming LED E		dotted line = jumper to be wired by the user. LED- has to be wired to one pin of pole 2.

CONTACT MATERIALS



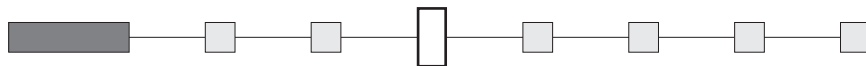
- 2 Silver
- 4 Silver, gold plated

ACTUATOR COLOUR



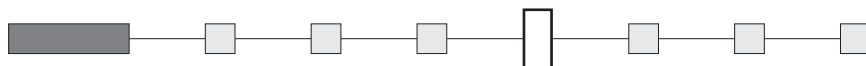
- 1 : blue - 2 : black - 3 : green - 4 : grey - 5 : yellow - 6 : red - 7 : white/natural - 9 : orange

BEZEL COLOUR



- 1 : blue - 2 : black - 3 : green - 4 : grey - 5 : yellow - 6 : red - 7 : white/natural

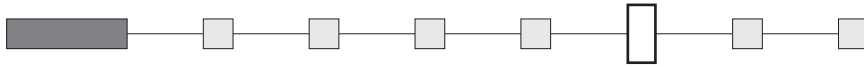
LED COLOUR



- X : non-illuminated
- A : blue - B : green - C : red - D : yellow - E : white - F : red/green - G : red/blue

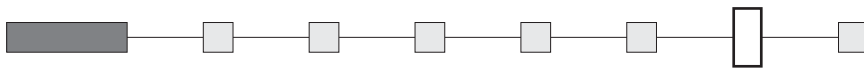


LED RESISTOR



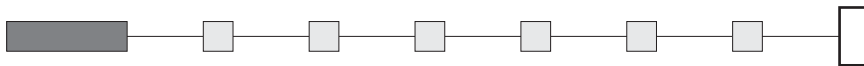
- 0 No resistor supplied
- 1 12V resistor
- 2 24V resistor

MARKING



- X No marking
- 1 Pad printing
- 2 Laser

SYMBOLS



- XX No symbol

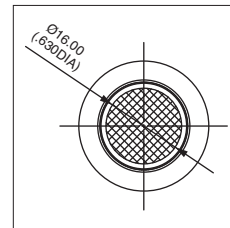
Available symbols
See end of K-range, section D.

Marking colour

White marking for illuminated actuators (laser etching) and non-illuminated black actuators (pad printing). Black marking for non-illuminated colour actuators (pad printing). Other : on request.

Marking area

The symbol will be included in the hatched area.



→ Flat

