

# FP series

**New!**

Fully illuminated pushbutton switches - bushing Ø 30 mm - momentary or latching

*Distinctive features and specifications*



- Full actuator or symbol illumination
- Suited for integrated designs
- Large but lightweight
- Pad printed or laser etched symbols
- Snap-in and threaded bushing models

	Pad printing	Laser
Non-illuminated		
Illuminated		

## ELECTRICAL SPECIFICATIONS

- Max. current/voltage rating with resistive load :
  - silver contacts (code 2) : 4A 12VDC
  - gold plated contacts (code 4) : 200mA 12VDC
- Initial contact resistance : 50 mΩ max.
- Insulation resistance : 1 GΩ min. at 500VDC
- Dielectric strength : 1.000 Vrms 50 Hz min.
- Electrical life at full load :
  - Momentary models : 1 million cycles (gold plated contacts)  
400.000 cycles (silver contacts)
  - Latching models : 200.000 cycles

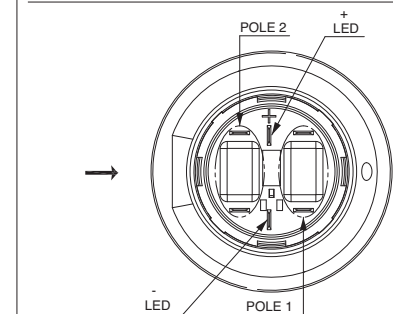
## MATERIALS

- Case : PA46
- Actuator : PA12, gloss finish
- Bushing/ bezel : ABS, gloss finish
- Contacts :
  - Silver (code 2)
  - or silver, gold plated (code 4)

## GENERAL SPECIFICATIONS

- Panel thickness :
  - Snap-in version : 1,5 (.059) to 2 mm (.078) with panel gasket  
2 (.078) to 2,5 mm (.885) without panel gasket
  - Threaded bushing version : 1(.039) to 9 mm (.354) max.
- Total travel : 2,8 mm ± 0,5 mm
- Typical operating force : 8N ± 2N
- Low level or mechanical life :
  - Momentary models : 1 million cycles
  - Latching models : 200.000 cycles
- Torque : 2 Nm max. applied to nut
- Operating temperature : -40°C to +75°C

## WIRING DIAGRAM



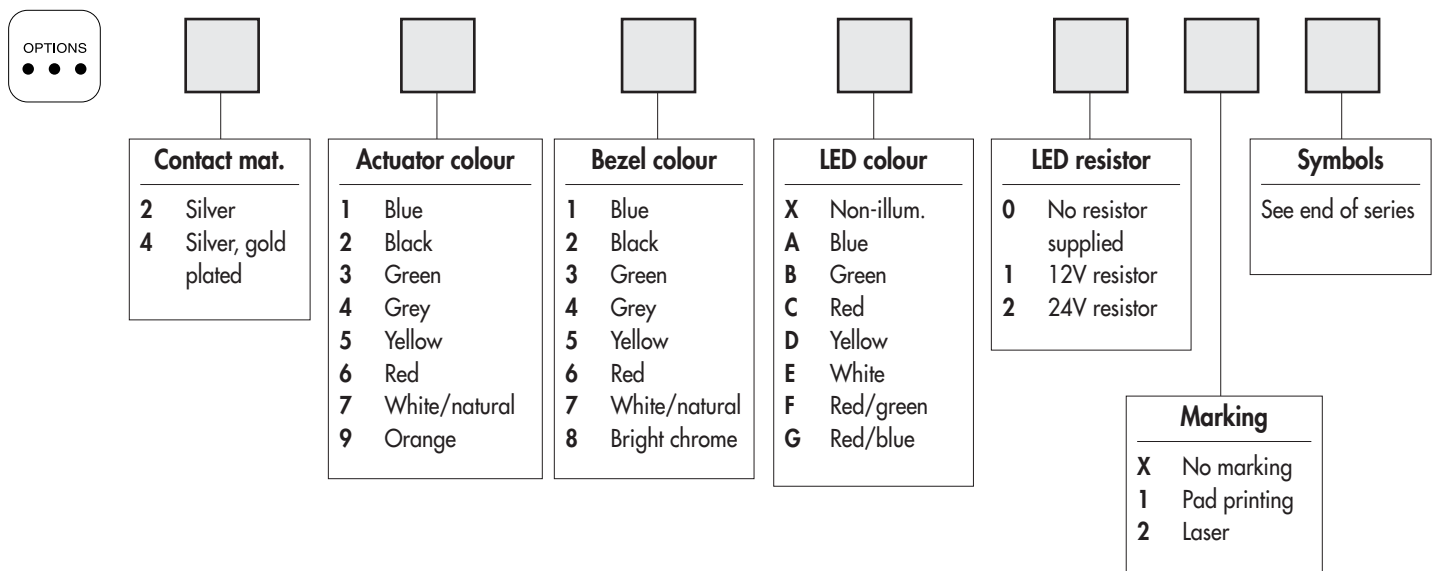
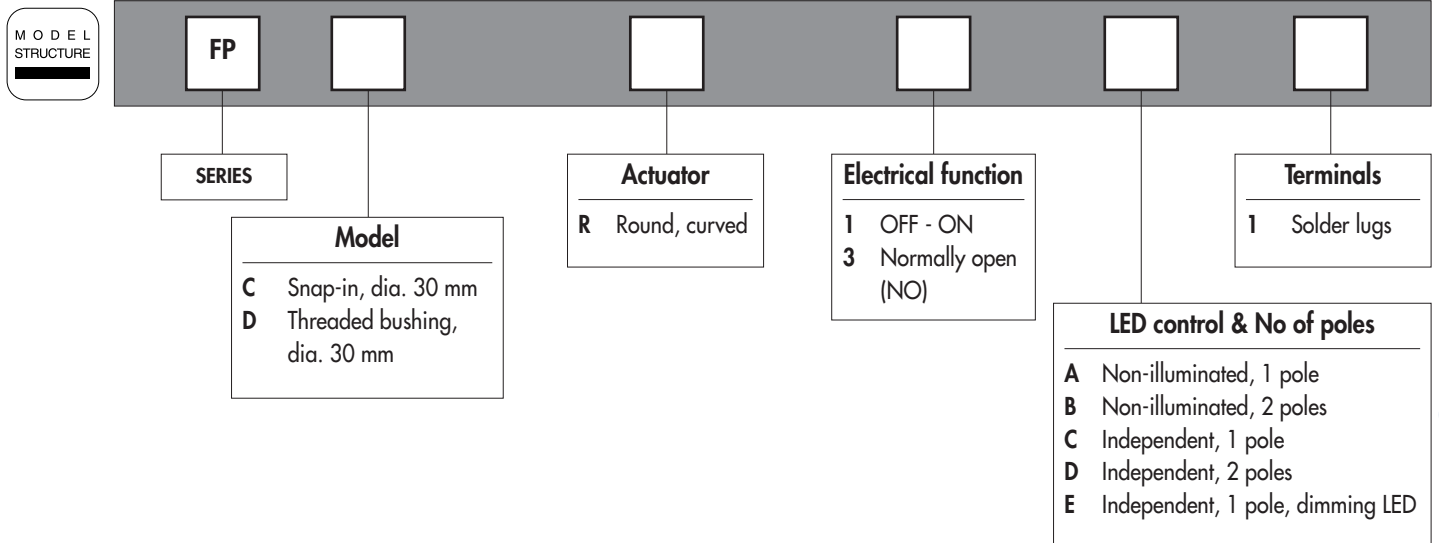
The company reserves the right to change specifications without notice.

**New!**

# FP series

Fully illuminated pushbutton switches - bushing Ø 30 mm - momentary or latching

Overview



## ABOUT THIS SERIES

On the following pages, you will find successively :  
model structure of switches and options in the same order as in above chart

**Dimensions** : first dimensions are in mm while inches are shown as bracketed numbers.



**NOTICE** : please note that not all combinations of above numbers are available.  
Refer to the following pages for further information.



**Mounting accessories** : Standard hardware supplied : 1 panel gasket (snap-in versions)  
1 plastic hex nut and 1 panel gasket (threaded bushing versions)



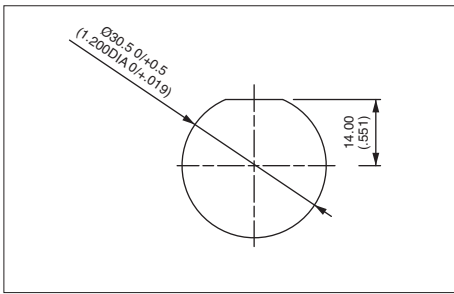
**Packaging unit** : 20 pieces

# FP series

**New!**

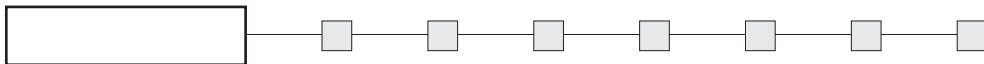


Fully illuminated pushbutton switches - bushing Ø 30 mm - momentary or latching



To order a product, replace • with one of the codes selected under "LED control and number of poles" on next page, then add the desired options.

MODEL  
STRUCTURE



B2

## Snap-in mounting - solder lug terminals

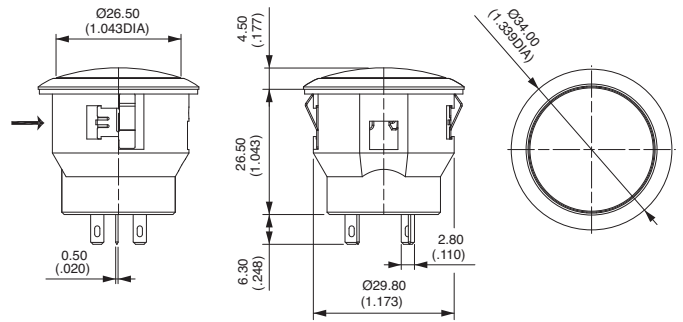
→ Flat



LATCHING  
FPCR1•1

MOMENTARY (NO)  
FPCR3•1

OFF - ON



## Mounting by threaded bushing - solder lug terminals

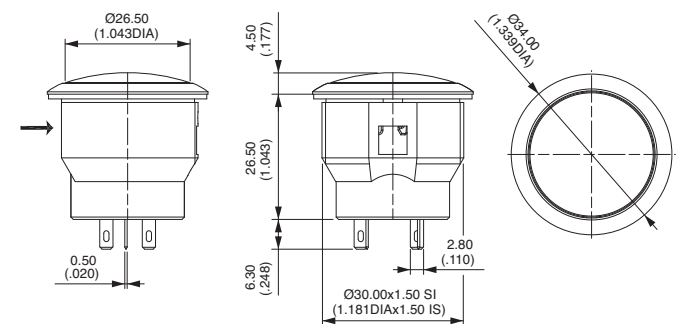
→ Flat



LATCHING  
FPDR1•1

MOMENTARY (NO)  
FPDR3•1

OFF - ON





**New!**

**FP series**

Fully illuminated pushbutton switches - bushing Ø 30 mm - momentary or latching

Options

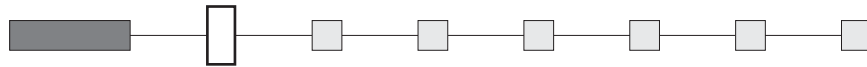
**LED CONTROL AND NUMBER OF POLES**

Complete the model numbers on previous pages with one of the following codes.

	Function 1 (latching)	Function 3 (momentary)		Function 1 (latching)	Function 3 (momentary)
Non-illuminated one pole <b>A</b>			Independent one pole <b>C</b>		
Non-illuminated two poles <b>B</b>			Independent two poles <b>D</b>		
			Independent one pole Dimming LED <b>E</b>		dotted line = jumper to be wired by the user. LED- has to be wired to one pin of pole 2.

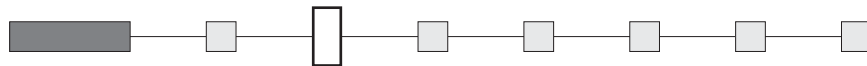
B2

**CONTACT MATERIALS**



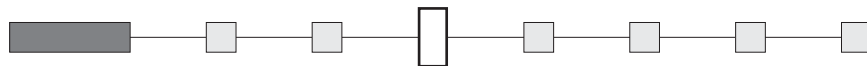
- 2 Silver
- 4 Silver, gold plated

**ACTUATOR COLOUR**



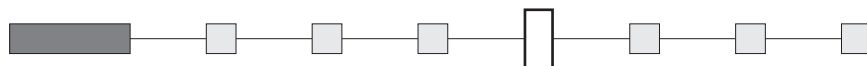
- 1 : blue - 2 : black - 3 : green - 4 : grey - 5 : yellow - 6 : red - 7 : white/natural - 9 : orange

**BEZEL COLOUR**



- 1 : blue - 2 : black - 3 : green - 4 : grey - 5 : yellow - 6 : red - 7 : white/natural - 8 : bright chrome

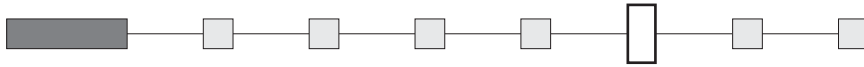
**LED COLOUR**



- X : non-illuminated
- A : blue - B : green - C : red - D : yellow - E : white - F : red/green - G : red/blue

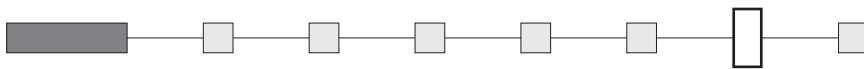
Options

**LED RESISTOR**



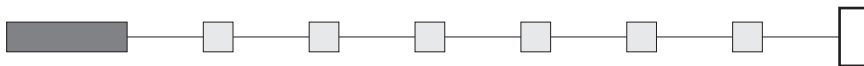
- 0 No resistor supplied
- 1 12V resistor
- 2 24V resistor

**MARKING**



- X No marking
- 1 Pad printing
- 2 Laser

**SYMBOLS**



- XX No symbol

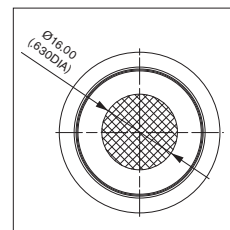
**Available symbols**  
See end of K-range, section D.

**Marking colour**

White marking for illuminated actuators (laser etching) and non-illuminated black actuators (pad printing). Black marking for non-illuminated colour actuators (pad printing). Other : on request.

**Marking area**

The symbol will be included in the hatched area.  
(this is the optimal area, larger symbols can be made on request)



→ Flat

